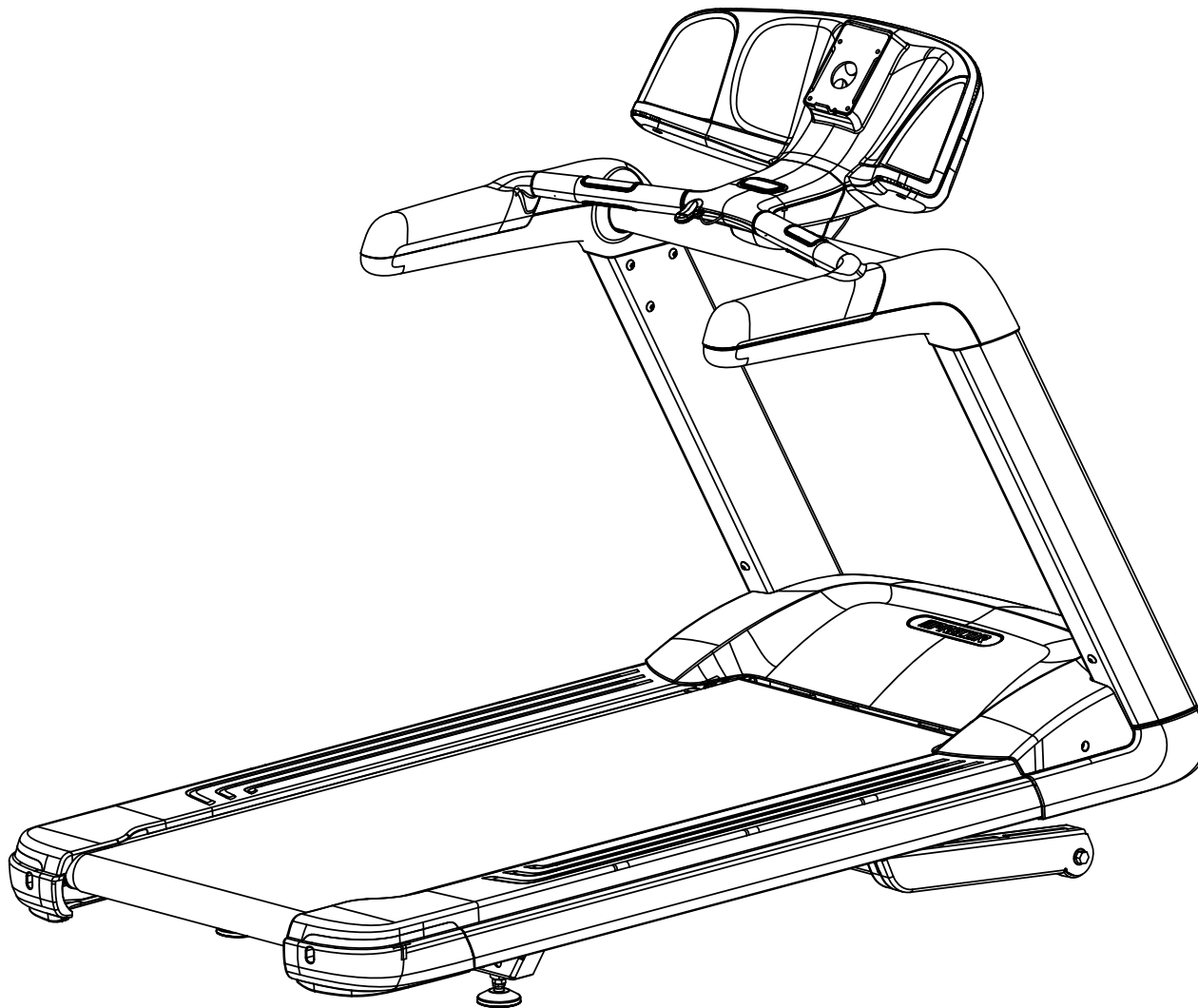


D

C

B

A



PRODUCT:
TRM600-18

DRWN BY	08/22/18	SAH	SIZE
CS	08/22/18	SM	A

PAGE	1 OF 7
------	--------

DWG. NO.	305394-101
----------	------------



SUBREV	A01
--------	-----

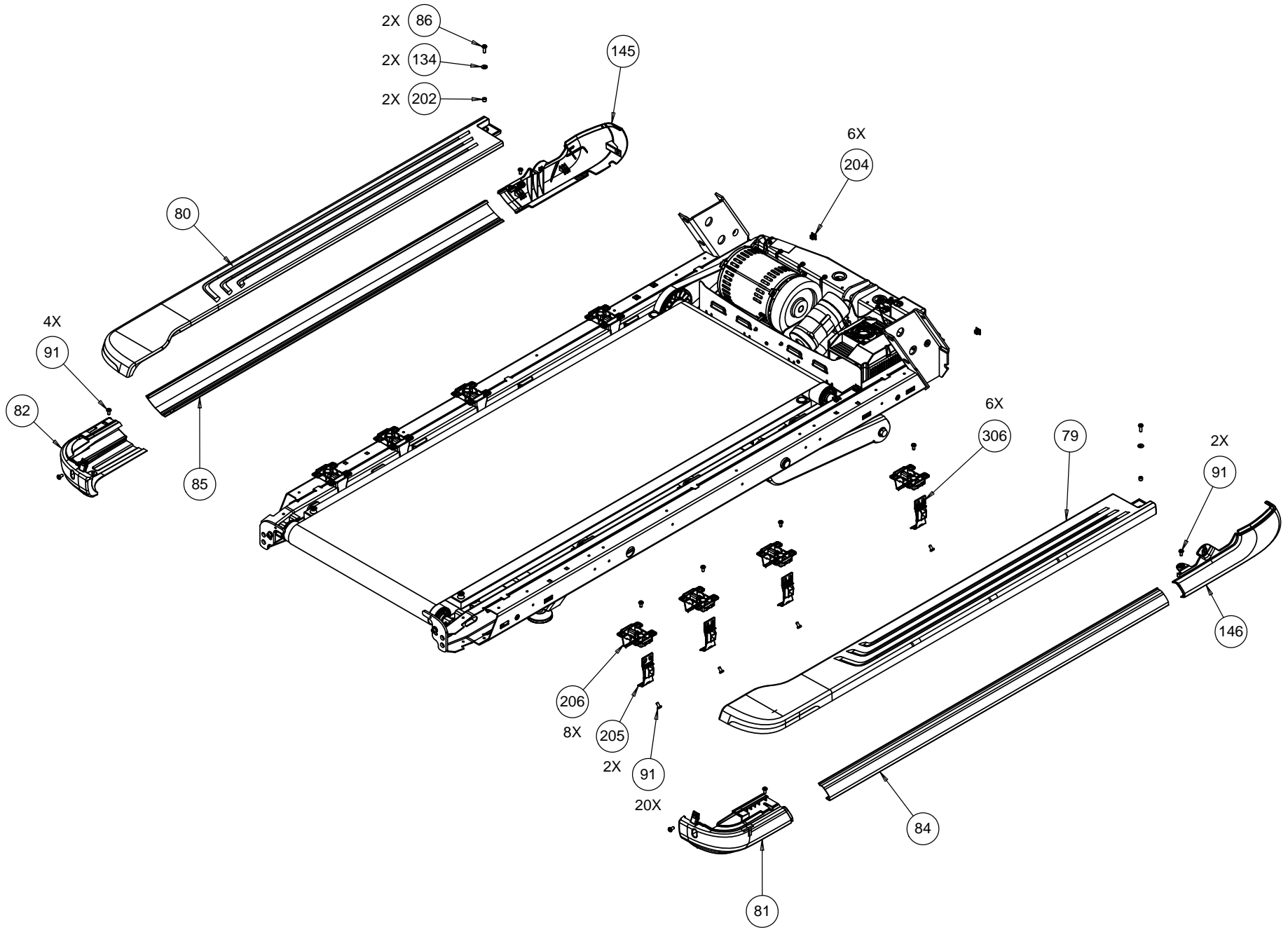
DRAWING TEMPLATE REV: D

4

3

2

1

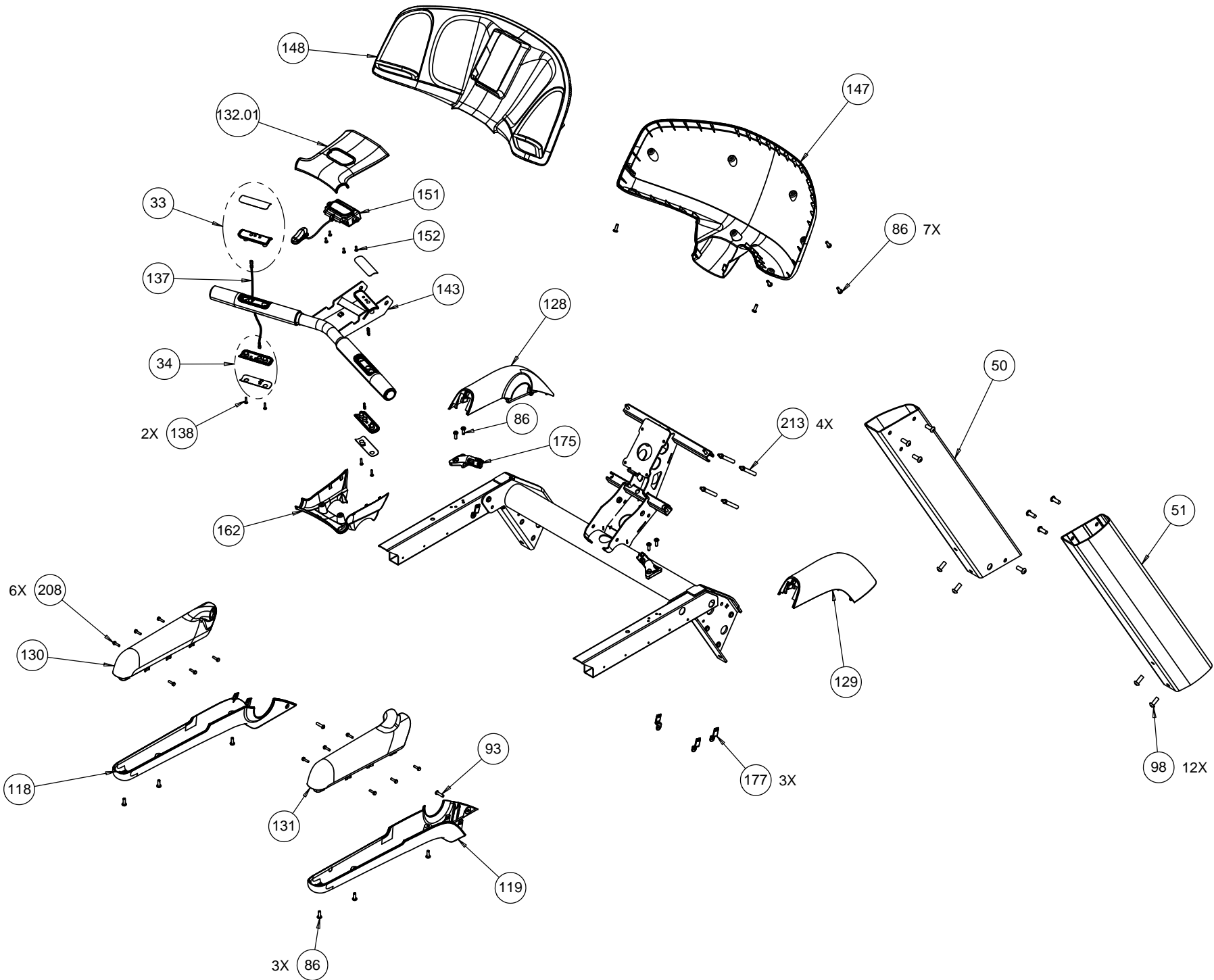


4

3

2

1

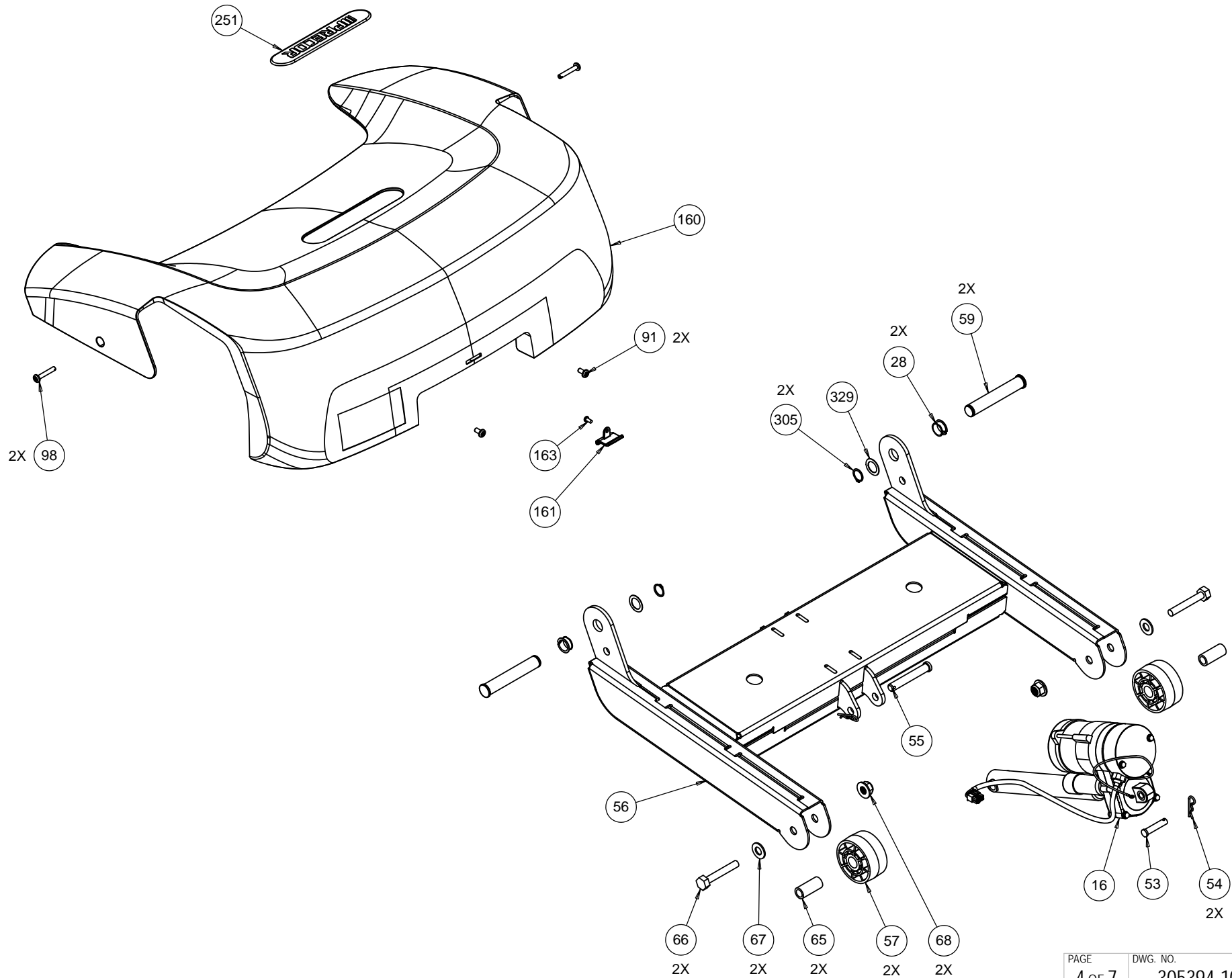


4

3

2

1

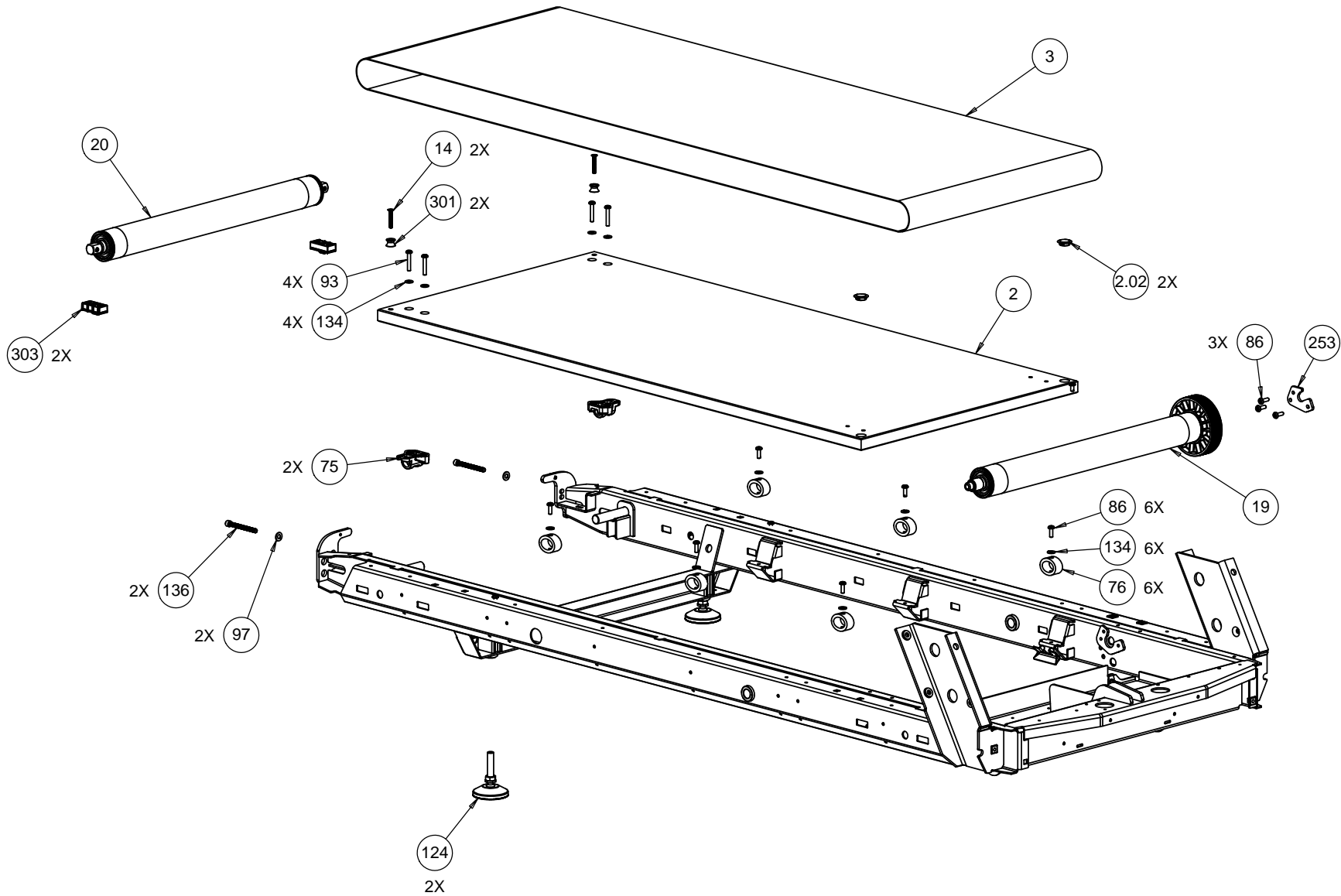


4

3

2

1

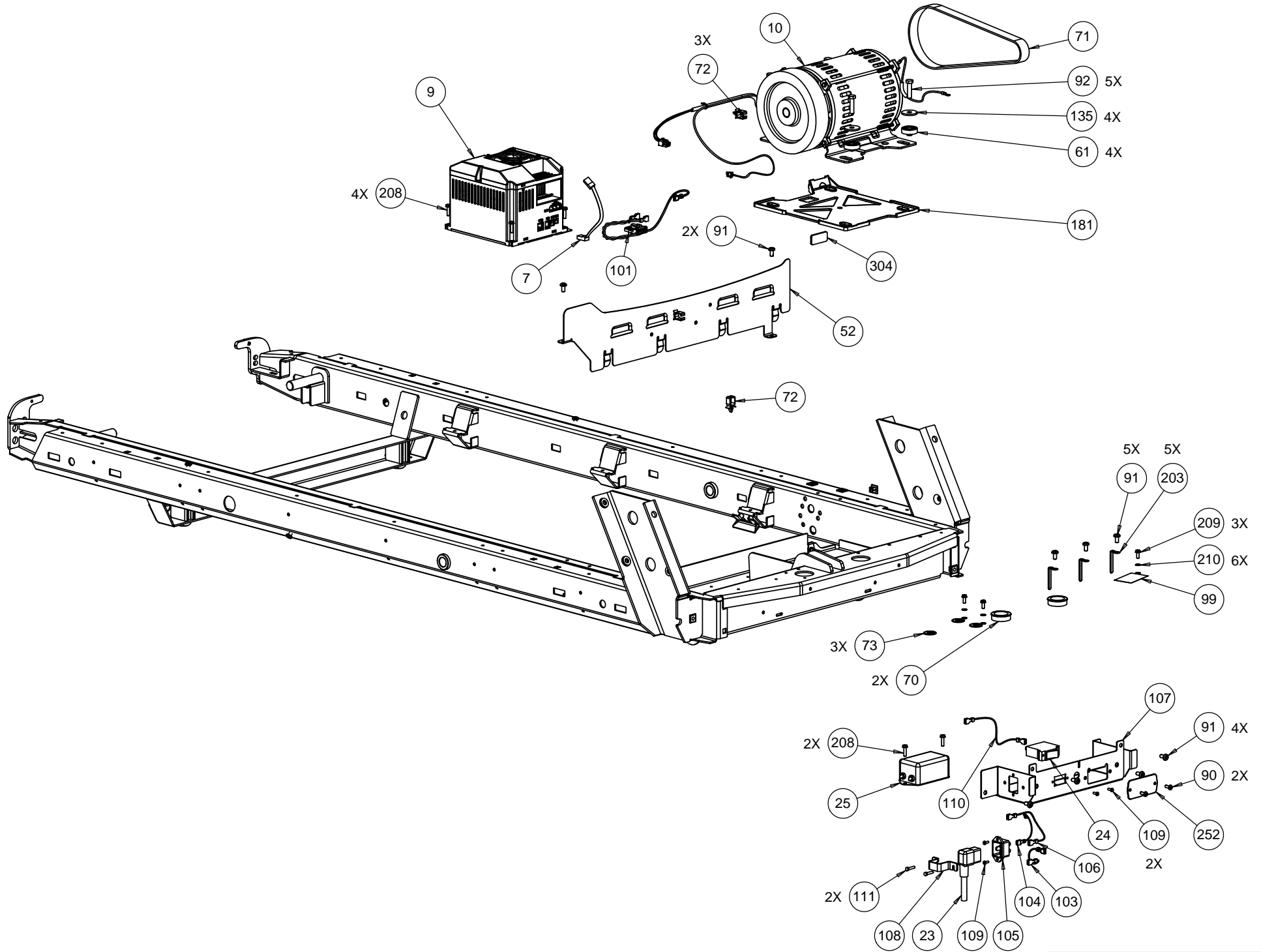


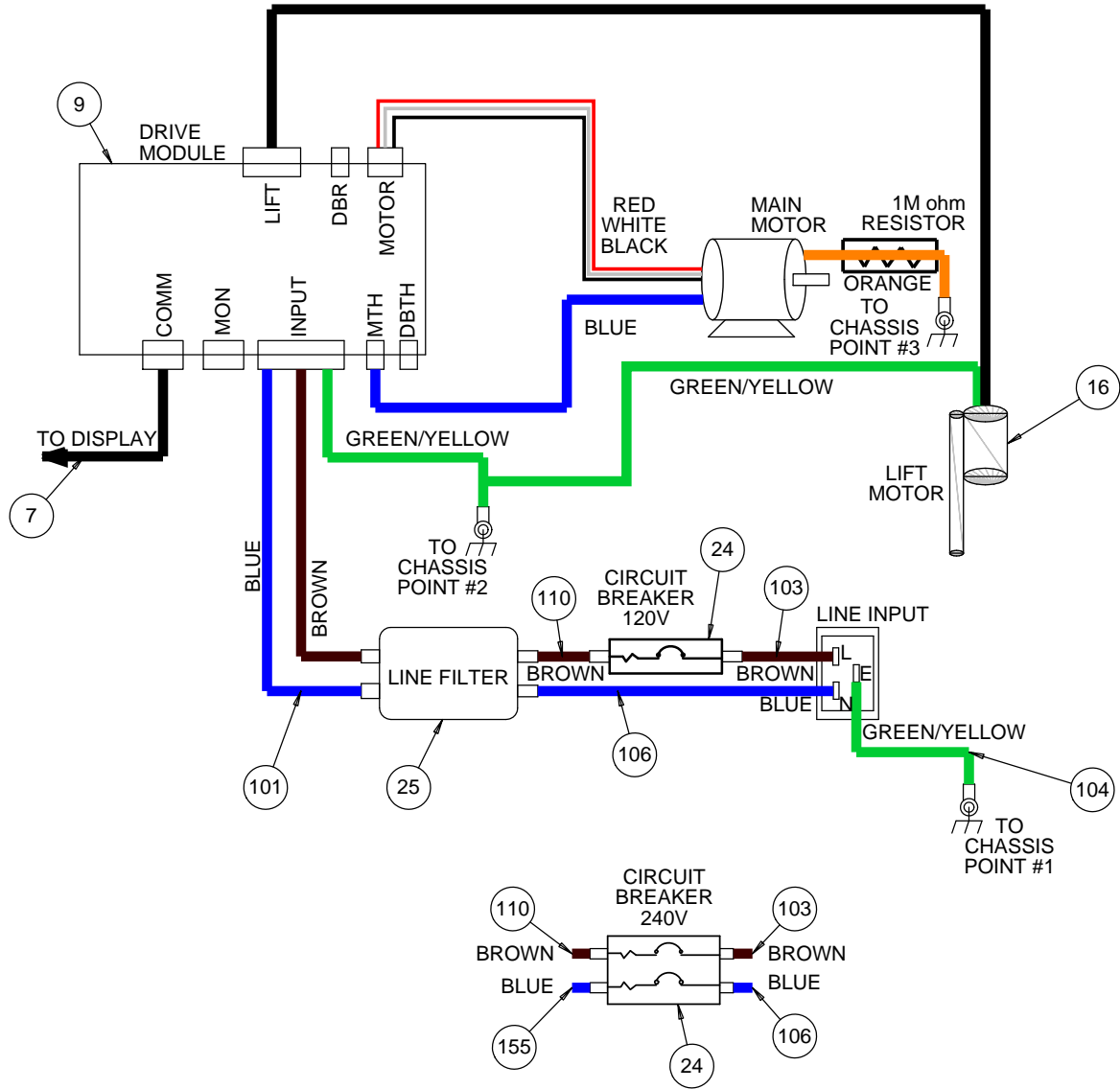
D

C

B

A





Bubble#	OEM Number	Description
2	PPP000000059120103	DECK WITH SHIPPER, TRM600, W/WAX
2.02	PPP000000305424101	CAP, CAPPLUGS BRAND, PIP-7/8CAP, CAPPLUGS BRAND, PIP-7/8
3	PPP000000036355141	RUNNING BELT, VERT 128 X 22, OL SPL
7	PPP000000044905108	ASSY,CBL,MOD,8P8C,1-1,SILVER,108 in.
9	PPP0000000304642101	ASSY,TRM600 230V,LOWER
14	PPP00000MNCN025150	SCREW,FLAT HD PHIL,1/4-20 X 1.50,ST
16	PPP0000000302625106	MOTOR, LIFT ACTUATOR, 230V, 282S PO
19	PPP0000000304612104	ASSEMBLY, ROLLER, DRIVE, TRM600
20	PPP000000035677111	ASSEMBLY, ROLLER, REAR, 9.3X-07,UNCOA
23	PPP000000046988144	PWR CORD,250VAC,16A,CEE 7/7RA - IEC
24	PPP000000011462243	SCKT BRKR,250V,MAGNETIC,ROCKER,2 PO
25	PPP000000011350101	FILTER, POWER LINE, #10 PANEL MOUNT
50	PPP0000000304728105	TARGA, LH, TRM700, BLACK PEARL
51	PPP0000000304728106	TARGA, RH, TRM700, BLACK PEARL
53	PPP000000010401106	PIN,CLEVIS, 3/8 X 1.75, ZINC
54	PPP000000010400103	PIN, HITCH, .093 DIA, ZINC, #203
55	PPP000000045669107	PIN, LIFT PIVOT, 3.34, MUSHROOM HEA
56	PPP0000000302468101	WELDMENT, LIFT PLATFORM, PAINTED
57	PPP000000044270101	WHEEL, LIFT
59	PPP0000000302485103	PIN, LIFT PIVOT
61	PPP0000000302616104	WASHER, TOP HAT, MOTOR
65	PPP000000036192101	BUSHING, SPANNER
66	PPP00000HCTN050275	SCREW,HEX,GR 5,1/2-13X2-3/4,BLK SHR
67	PPP00000WBZN050008	WASHER, FLAT,1/2,.086 BLK CVS
68	PPP00000KBTKN050055	NUT, HEX FLANGE, NYLON INSERT, 1/2,
70	PPP000000010178112	BUSHING, SNAP
71	PPP000000010214101	BELT, DRIVE, 280J10 POLY V, TEM
72	PPP000000011278101	CABLE CLAMP,INSERT
73	PPP000000033984101	LABEL, SAFETY, GROUND SYMBOL
75	PPP0000000304595101	PIVOT, REAR DECK
76	PPP0000000302482101	CUSHION, GFX
79	PPP0000000304590102	ASSY,TRIM LANDINGS,RIGHT,LED BLUE
80	PPP0000000304590101	ASSY,TRIM LANDINGS,LEFT,LED BLUE

81	PPP000000304593104	END CAP, TUNGSTEN GRAY, RIGHT
82	PPP000000304593103	END CAP, TUNGSTEN GRAY, LEFT
84	PPP000000304036108	EXTRUSION, SIDE TRIM, RH, BLACK PEA
85	PPP000000304036107	EXTRUSION, SIDE TRIM, LH, BLACK PEA
86	PPP0000PANTN025075	SCREW, SELF TAPPING, 1/4-20 X 0.75,
90	PPP0000PANTN019075	SCREW,S/T,#10-24X3/4,PANHD,PHIL,TRI
91	PPP0000PANTN025050	SCREW,S/T,#1/4-20X1/2,PANHD,PHIL,TR
93	PPP00000CAME038063	SHCS,3/8-16 X .625 ,NYLOK,STL,MECH
98	PPP00000THTE038056	SCREW,BHCS,3/8-16 X 9/16,STL,BLACK
99	PPP000000302542101	LABEL, WARNING, BLEED DOWN CABLE AT
101	PPP000000303042010	CABLE, FILTER TO DRIVE MODULE,10 in.
102	PPP000000037436101	LABEL, CHASIS NEUTRAL
103	PPP000000040193005	ASSY,CBL,1C,12AWG,250X032 QD RECP(X
104	PPP000000040195008	CBL,1C,14AWG,,#10 RING,250X032 QD R
105	PPP000000045381101	IEC 16/20A POWER CORD INLET
106	PPP000000302226009	ASSY,CBL,1C,12AWG,250X032 QD RECP(X
107	PPP000000302466101	BRACKET, POWER ENTRY
109	PPP00000MGCN013038	SCREW,MCH,6-32X3/8,PANHD,PHIL,
110	PPP000000040193009	ASSY,CBL,1C,12AWG,250X032 QD RECP(X
111	PPP00000HNCN016075	HHCS,MCH,#8-32 X .75,STL,CLR ZN
124	PPP000000304623101	FOOT, REAR LEVELING
134	PPP00000WBCN025006	WASHER,FLT,1/4X..500X.063,ZN (MECH
135	PPP0000WABCN031011	WASHER,FENDER,EXTRA THICK,HARDENED
136	PPP00000CFCA031300	SHCS,5/16-18 X 3.00,STL FT,CLEAR ZN
145	PPP000000302583103	ASSY,HOOD TRANSITION,LH,TUNGSTEN
146	PPP000000302583104	ASSY,HOOD TRANSITION,RH,TUNGSTEN
155	PPP000000302226005	ASSY,CBL,1C,12AWG,250X032 QD RECP(X
160	PPP000000302549103	ASSY, HOOD,TUNGSTEN,NO BADGE
161	PPP000000302552101	INDICATOR, STATUS, LIGHT PIPE
163	PPP0000PARCN019038	SCREW,SELF-TAP,TRI,PAN HD PHIL,#10
181	PPP000000302614102	ISOLATOR, PLASTIC MOTOR
202	PPP000000013216101	HARDWARE, COMPRESSION LIMITER 6MM X
203	PPP000000013217101	WIRE CLAMP, .25 INCH FASTENER, META
204	PPP000000013222101	SQUARE PLASTI-GROMMET, 1/4 IN FSTNR

205	PPP000000303316101	ANCHOR, SIDE TRIM, INDEXING
206	PPP000000302520101	TRIM LANDING, ANCHOR, MOUNTING BLOC
208	PPP0000PBDCA019075	SCREW,SELF-TAP,TRI,WASHER HD HEX,10
209	PPP0000PBJCG019050	SCREW,SELF-TAP,TYPF,WASHER HD HEX/S
210	PPP0000WAMCN019002	WASHER, LOCK, EXT TOOTH, #10
251	PPP000000300678101	LABEL, HOOD ALUMINUM, NEW LOGO
252	PPP000000303538101	BLANKING PLATE, INTERFACE
301	PPP000000304585102	BELT TRACKER, VERTICAL, HEAT TREATE
303	PPP000000304620101	SPACER, TAKE-UP ROLLER
304	PPP000000304609101	PLATE, MOTOR TENSIONER
305	PPP00000AAHN075004	RETAINING RING,EXTERNAL,3/4,ROTOR C
306	PPP000000302440101	ANCHOR, SIDE TRIM
310	PPP000000010135101	NUT, THREADED, TINNEMAN, 5/16-18
329	PPP00000WNNN075003	WASHER,FLAT,.75 X 1.125 X .031,STL
999	PPP000000305281900	TRM600/700 COMBINED LITERATURE KIT-